

# Homogenizer HLI90

- Max. 16,000 Liters per Hour (100 bar)
- Max. Homogenizing pressure 700 bar (2,600 l/h)
- Poppet valve and Ball valve execution
- Max. motor power 75 kW
- Weight with motor approx. 2,650 kg
- Customized execution
- Control Cabinet incl. PLC Control
- Optional in aseptic execution with sterile water unit
- Integrated lubrication system
- Lower ecological footprint
- Designed and Made in Germany

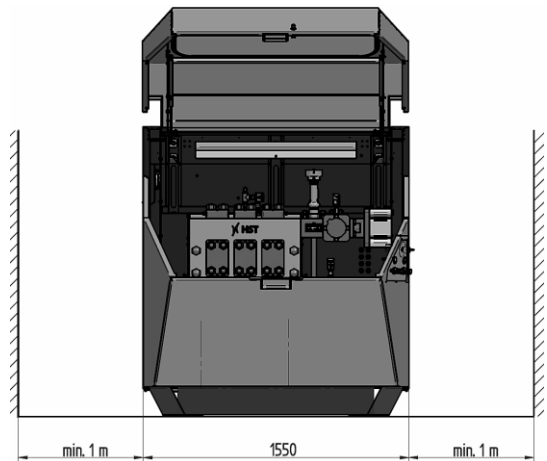


*Technical changes reserved!*

## Poppet valves

For low viscosity and slightly abrasive Products

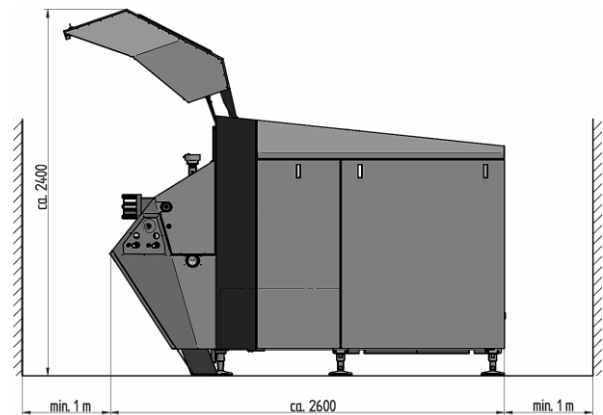
Model	Max. Pressure (bar)	Max. Capacity (Liters per Hour)
HLI90-100T	100	16,000
HLI90-150T	150	16,000
HLI90-200T	200	12,500
HLI90-250T	250	9,200
HLI90-300T	300	7,600
HLI90-350T	350	6,300
HLI90-550T	550	4,000



## Ball valves

For highly viscous and abrasive Products

Model	Max. Pressure (bar)	Max. Capacity (Liters per Hour)
HLI90-150K	150	14,400
HLI90-200K	200	11,000
HLI90-300K	300	6,700
HLI90-400K	400	5,500
HLI90-550K	550	3,500
HLI90-700K	700	2,600



HST Maschinenbau GmbH • Werkstraße 23 • D-23942 Dassow • Germany  
 Tel: +49 38826 / 88 78 0 • Email: info@hst-gmbh.com • www.hst-gmbh.com